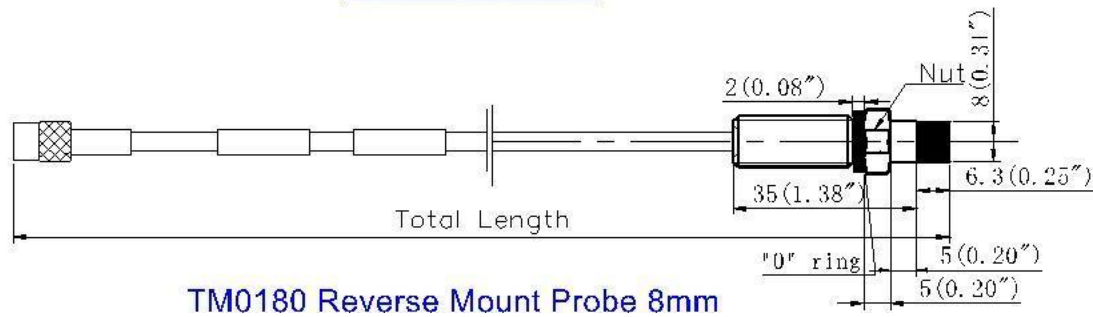
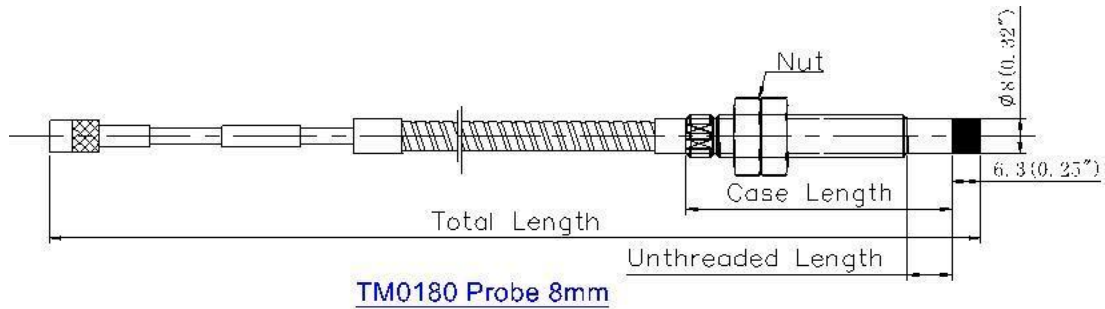


Proximity Transducers, Seismic Sensors and Accessories



Standard 8mm TM0180

(Works with TM0181 cables and TM0182 drivers)

TM0180	-XX	-XX	-XX	-XX	-XX
Standard 8mm Probe	Probe Type	Unthreaded Length	Case Length	Total Length	Connector Type
3/8"-24UNF; without armor	-01	Standard: 00 (0.0 in) Increment: 05 (0.5 in)	Standard: 20 (2.0 in) Increment: 05 (0.5 in)	05 (0.5m) 10 (1.0m)	00 (none) 02 (yes)
3/8"-24UNF; with armor	-02	Maximum: Case length- 1.0 in	Minimum: 10 (1.0 in) Maximum: 95 (9.5 in)	50 (5.0m) 90 (9.0m)	
M10×1; without armor	-07	Standard: 00 (0 mm) Increment: 01 (10 mm)	Standard: 05 (50 mm) Increment: 01 (10 mm)		
M10×1; with armor	-08	Maximum: Case length- 20 mm	Minimum: 02 (20 mm) Maximum: 25 (250 mm)		
Reverse mount 3/8"-24UNF; without armor	-06	02 (0.2 in)	12 (1.2 in)	05 (0.5m) 10 (1.0m)	02 (yes)
Reverse mount M10×1; without armor	-05	05 (5 mm)	03 (30 mm)		

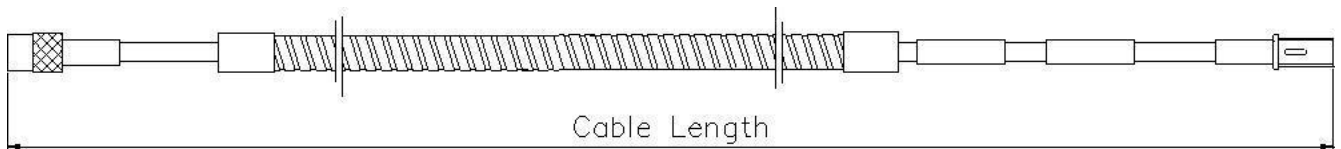
Proximity Transducers, Seismic Sensors and Accessories

7200 Series 8mm TM0180 Probes

(Works with TM0181-21747 cables and TM0182-18745 drivers)

TM0180	-XXXXX	-XX	-XX	-XX	-XX
7200 8mm Probe	Probe Type	Unthreaded Length	Case Length	Total Length	Connector Type
3/8"-24UNF; without armor	-21504	Standard: 00 (0.0 in) Increment: 05 (0.5 in)	Standard: 20 (2.0 in) Increment: 05 (0.5 in)	05 (0.5m) 10 (1.0m)	00 (none) 02 (yes)
3/8"-24UNF; with armor	-21505	Maximum: Case length- 1.0 in	Minimum: 10 (1.0 in) Maximum: 95 (9.5 in)	50 (5.0m) 90 (9.0m)	
M10x1; without armor	-22810	Standard: 00 (0 mm) Increment: 01 (10 mm)	Standard: 05 (50 mm) Increment: 01 (10 mm)		
M10x1; with armor	-22811	Maximum: Case length- 20 mm	Minimum: 02 (20 mm) Maximum: 25 (250 mm)		
Reverse mount 3/8"-24UNF; without armor	-21508	02 (0.2 in)	12 (1.2 in)	05 (0.5m) 10 (1.0m)	02 (yes)

Extension Cable



Extension Cable

Extension Cable for 5mm and 8mm Probes

(Works with TM0180 probes and TM0182 drivers)

TM0181	-XXXXX	-XXX	-XX
Probe Type	Model	Cable Length	Armor
Standard 5mm and 8mm probe	-21747	-040 (4.0 m)	-00 (No)
7200 series 5mm and 8mm probe		-045 (4.5 m)	-01 (Yes)
		-080 (8.0 m)	
		-085 (8.5 m)	