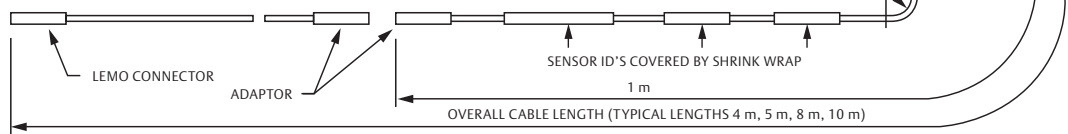
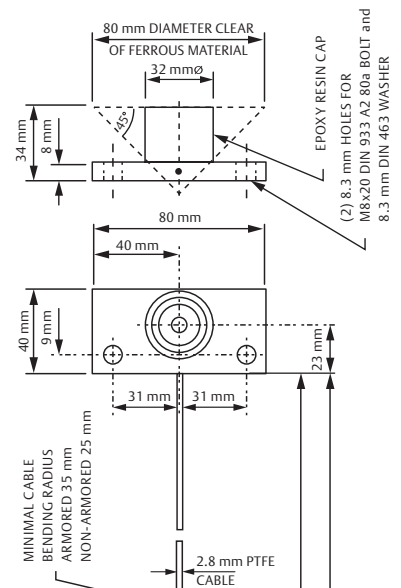
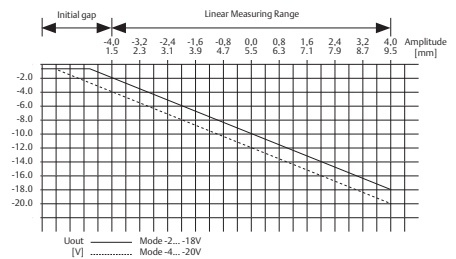


32 mm Eddy Current Sensor

Non-contact sensor designed for critical turbo machinery applications such as steam, gas and hydro turbines, compressors, pumps and fans to measure radial and axial shaft displacement: position, eccentricity and motion.



Dynamic Performance	
Sensitivity	2 V/mm (50.8 mV/mil) ≤ ±1.5% max
Air Gap (Center)	Approx. 5.5 mm (0.22") Nominal
Long Term Drift	< 0.3%
Range	Static ±4.0 mm (0.157")
Target	
Target/Surface Material	Ferromagnetic Steel (42 Cr Mo 4 Standard)
Maximum Surface Speed	2,500 m/s (98,425 ips)
Shaft Diameter	≥200 mm (7.87")
Environmental	
Operating Temperature Range	-35 to 180°C (-31 to 356°F)
Temperature Excursions <4 Hours	200°C (392°F)
Maximum Cable Temperature	200°C (392°F)
Temperature Error (at +23 to 100°C)	-0.3%/100°K Zero Point
	<0.15%/10°K Sensitivity
Pressure Resistance To Sensor Head	6,500 hpa (94 psi)
Shock and Vibration	5g (49.05 m/s ²) @ 60Hz @ 25°C (77°F)
Physical	
Material	Sleeve – Stainless Steel, Cable – PTFE
Weight (Sensor & 1M Cable, no Armor)	~800 grams (28.22 oz)



Compliance and Certifications	
CE	2014/30/EU 2014/34/EU 2011/65/EU EN61326-1 DIN EN 50581
ATEX	EN 60079-0 EN 60079-11
IEC-Ex	IEC 60079-0 IEC 60079-11 IEC 60079-26
CSA	CAN/CSA-C22.2 NO. 0-M91 CAN/CSA-C22.2 NO. 157-92 CAN/CSA-C22.2 NO. 213-M1987 CAN/CSA-E60079-15-02 (R2006) CAN/CSA-C22.2 NO. 25-1966 CAN/CSA-C22.2 NO. 61010-1-04 ANSI/UL Standard 913-2004 ANSI/UL Standard 1604-1995 UL 60079-15 2002 UL 61010-1

Hazardous Area Approvals

Intrinsic Safety (iA)	
ATEX / IEC-Ex	Area classification depends on converter, see converter documentation for details, sensor temperature classification: T6: $T_a \leq 84^\circ\text{C}$ T4: $T_a \leq 114^\circ\text{C}$ T3: $T_a \leq 160^\circ\text{C}$
CSA	Area classification depends on converter, see converter documentation for details, sensor temperature classification: T6: $T_a \leq 64^\circ\text{C}$ T4: $T_a \leq 114^\circ\text{C}$ T3: $T_a \leq 160^\circ\text{C}$
Non-sparking (nA)	
CSA	Area classification depends on converter, see converter documentation for details, sensor temperature classification: T6: $T_a \leq 64^\circ\text{C}$ T4: $T_a \leq 114^\circ\text{C}$ T3: $T_a \leq 160^\circ\text{C}$

Order Matrix		PR6426 /	X	X	X	-	X	X	X
Sleeve Thread	NO THREAD	0							
Armored Cable	WITH WITHOUT		1 0						
Total Sensor Length	Mounting Plate 80 mm x 40 mm			0					
Adaptor Plug	WITH WITHOUT					0 1			
Total Cable Length	0(4 m), 1(5 m), 2(6 m), 3(8 m), 4(10 m)						X		
Cable End	LEMO OPEN							0 1	

Emerson
Reliability Solutions
 835 Innovation Drive
 Knoxville, TN 37932 USA
 ☎ +1 865 675 2400
 🌐 www.emerson.com/ams

©2017, Emerson. All rights reserved.

The Emerson logo is a trademark and service mark of Emerson Electric Co. All other marks are the property of their respective owners.

The contents of this publication are presented for informational purposes only, and while every effort has been made to ensure their accuracy, they are not to be construed as warranties or guarantees, express or implied, regarding the products or services described herein or their use or applicability. All sales are governed by our terms and conditions, which are available on request. We reserve the right to modify or improve the designs or specifications of our products at any time without notice.